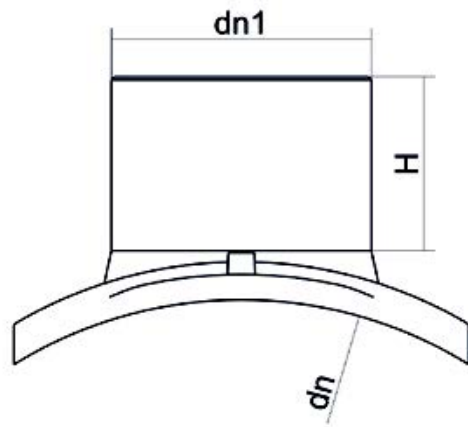


?????? ????? ???? ???? ?

?? ? ? ? ? ? ? ? ? ? ?



PRODUCT DETAILS		GEOMETRIC CHARACTERISTICS	
ITEM CODE	CPSP800225C	d_n	800
d_n	800 - 225	d_{n1}	225
SDR DESIGN	11	H [mm]	150
		Mass [kg]	5.3

*The pictures are for illustrative purposes only. the product may differ in color and / or some of its parts.

PLASTITALIA SPA reserves the right to revise this specification, while maintaining compliance with the requirements of the product without prior notice. Tolerance on diameters and thickness according to the standards unless otherwise specified. Tolerance: $\pm 5\%$