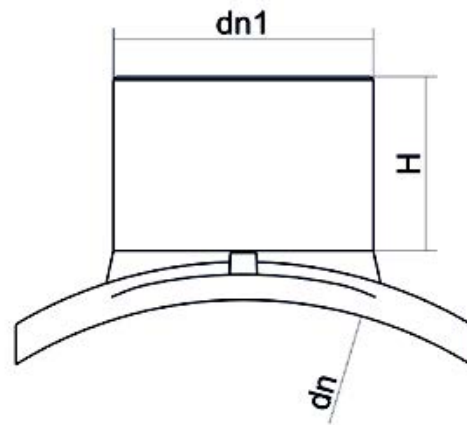


TECHNICAL DATASHEET

?????? ???? ?

?? ?? ? ? ? ? ? ? ? ?



PRODUCT DETAILS	
ITEM CODE	CPSP180110C
d_n	180 - 110
SDR DESIGN	11

GEOMETRIC CHARACTERISTICS	
d_n	180
d_{n1}	110
H [mm]	110
Mass [kg]	2.11

*The pictures are for illustrative purposes only. the product may differ in color and / or some of its parts.

PLASTITALIA SPA reserves the right to revise this specification, while maintaining compliance with the requirements of the product without prior notice. Tolerance on diameters and thickness according to the standards unless otherwise specified. Tolerance: $\pm 5\%$